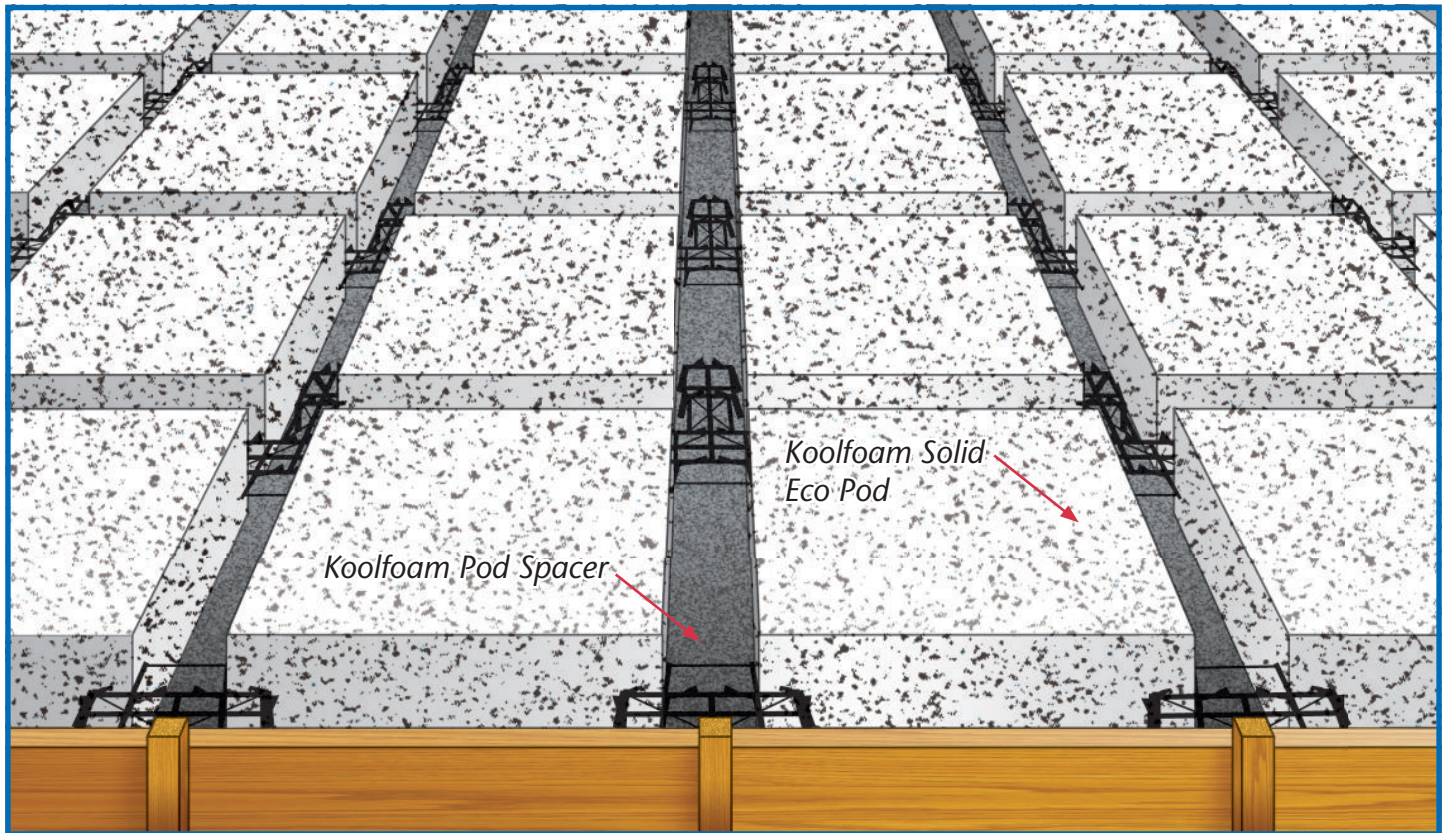


KOOLFOAM SOLID ECO POD

Koolfoam manufacture Solid Eco Pods to a variety of sizes suitable for raft floors in New Zealand. We incorporate recycled polystyrene from our own production waste and recovered polystyrene waste from our customers. This blend of up to 50% recycled and 50% virgin material reduces the impact on landfill and the consumption of oil based raw material.

Koolfoam Solid Eco Pods are cut from molded SL grade block which allows a variety of pod size combinations to be achieved.



ADVANTAGES:

- Reduces impact on environment using up to 50% recycled EPS
- Multiple size options resulting in flexibility
- Solid Pod – no mesh chairs punch through
- No damage when pouring/assembling
- High thermal and structural value

KOOLFOAM SOLID ECO POD OPTIONS

POD SIZE	200mm	220mm	300mm	Greater
1.1*1.1	✓	✓	✓	✓
1.2*1.2	✓	✓	✓	✓
1.8*1.2	✓	✓	✓	✓
Std & H Grade (load bearing options)	✓	✓	✓	✓



“Solution based innovations for an environmentally responsible future”

SYSTEM COMPONENTS



Koolfoam Universal Spacer

KOOLFOAM SOLID ECO POD PERFORMANCE

POD THICKNESS	R Value	Compressive Stress @ 10% Deformation
200mm	R4.8	70kpa
220mm	R5.3	70kpa
300mm	R7.3	70kpa

STANDARD SOLID ECO POD DETAILS

Fig 1 Standard Edge

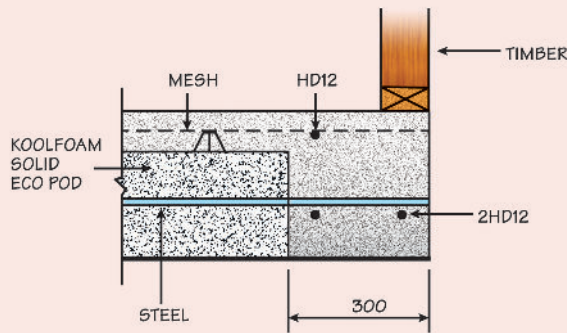


Fig 2 Edge with Brick Veneer

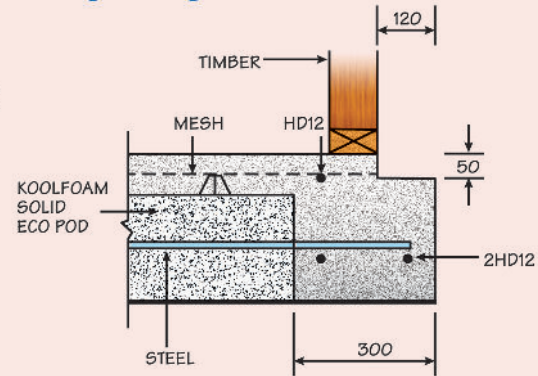


Fig 3 100mm Rib

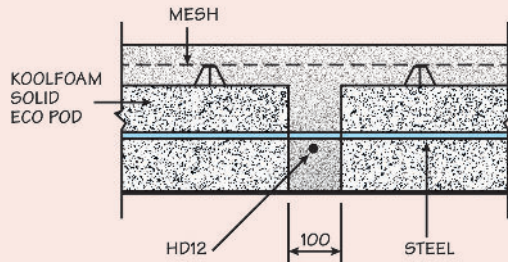


Fig 4 200mm Rib

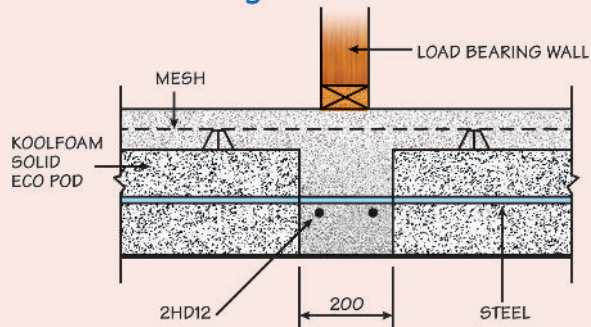
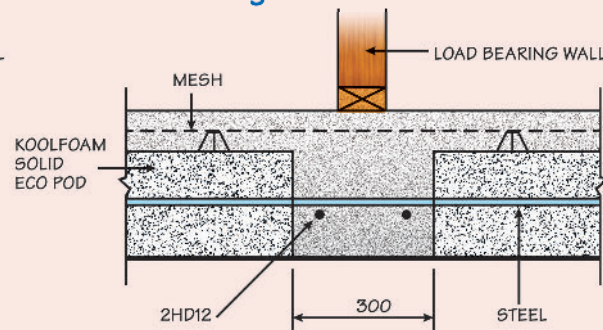


Fig 5 300mm Rib



MANUFACTURING STANDARD

All EPS products produced by Koolfoam including Pods comply with manufacturing Standard AS 1366 Part 3 1992.



KOOLFOAM LIMITED
 Phone 09 279 9611, Freephone 0800 636 767,
 Fax 09 277 6704
 Email koolfoam@xtra.co.nz www.koolfoam.co.nz