



Post Pour Retrofit

A pre-coated Slab Edge Insulation system designed for retro fitting to new and existing concrete slab edges.

Slab Edge Insulation

Ready and waiting to help insulate new and existing concrete slabs

Koolfoam has developed an innovative pre-coated Slab Edge insulation panel that is designed for retrofitting against slab edges throughout New Zealand.

The vertical edge of a concrete floor slab can transfer a significant amount of heat.

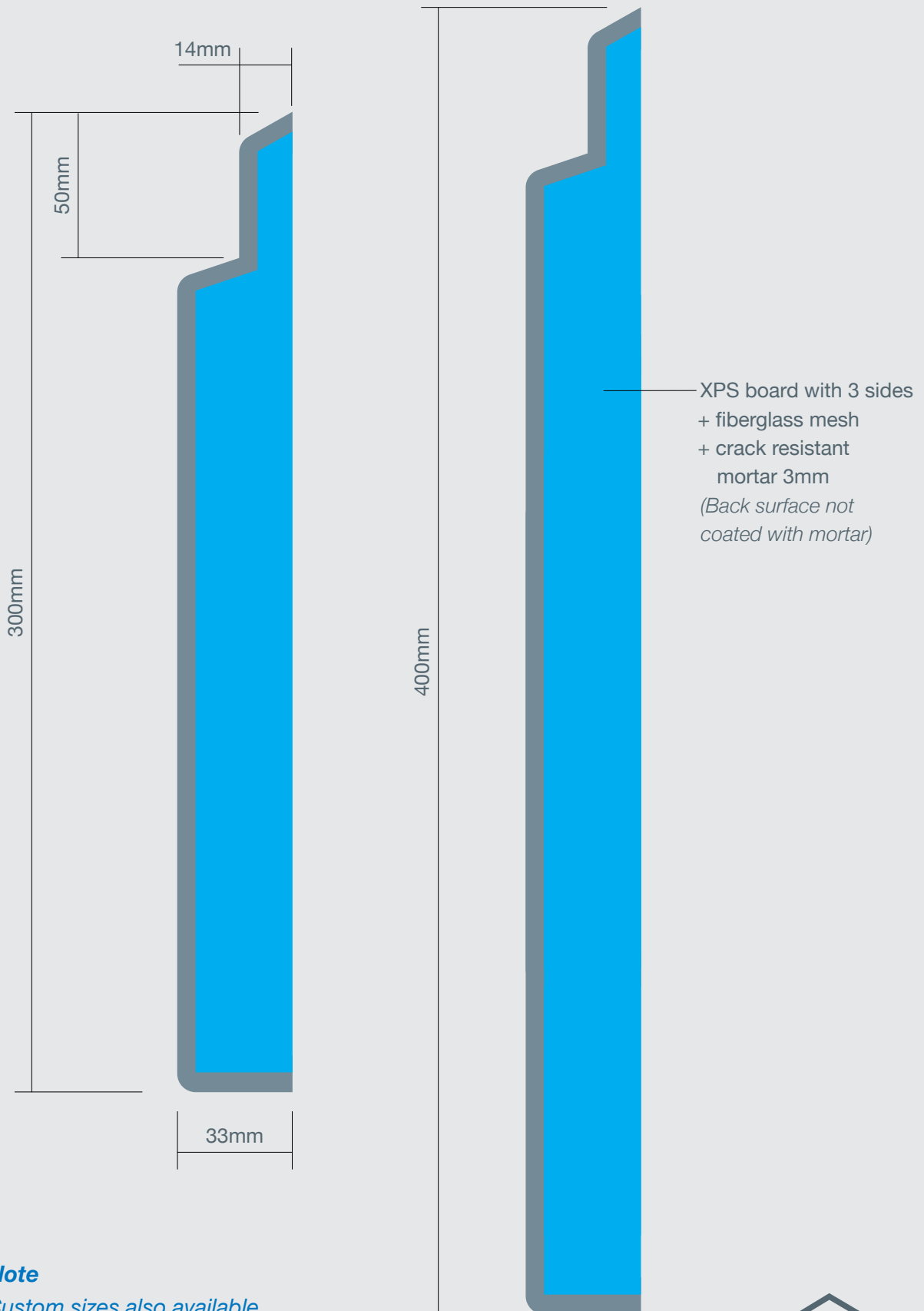
To address this our technical team has developed an innovative thermal edging solution designed to be retrofitted to new and existing concrete slabs – Koolfoam Slab Edge Insulation.

This clever system has excellent compressive strength, thermal performance, is tough, durable and resistant to moisture.

Designed and manufactured here.

Koolfoam Slab Edge Insulation gives you a simple and cost-effective solution, the satisfaction of supporting local and the peace of mind of dealing with a Kiwi company who are designing and manufacturing for New Zealand Building Code standards.



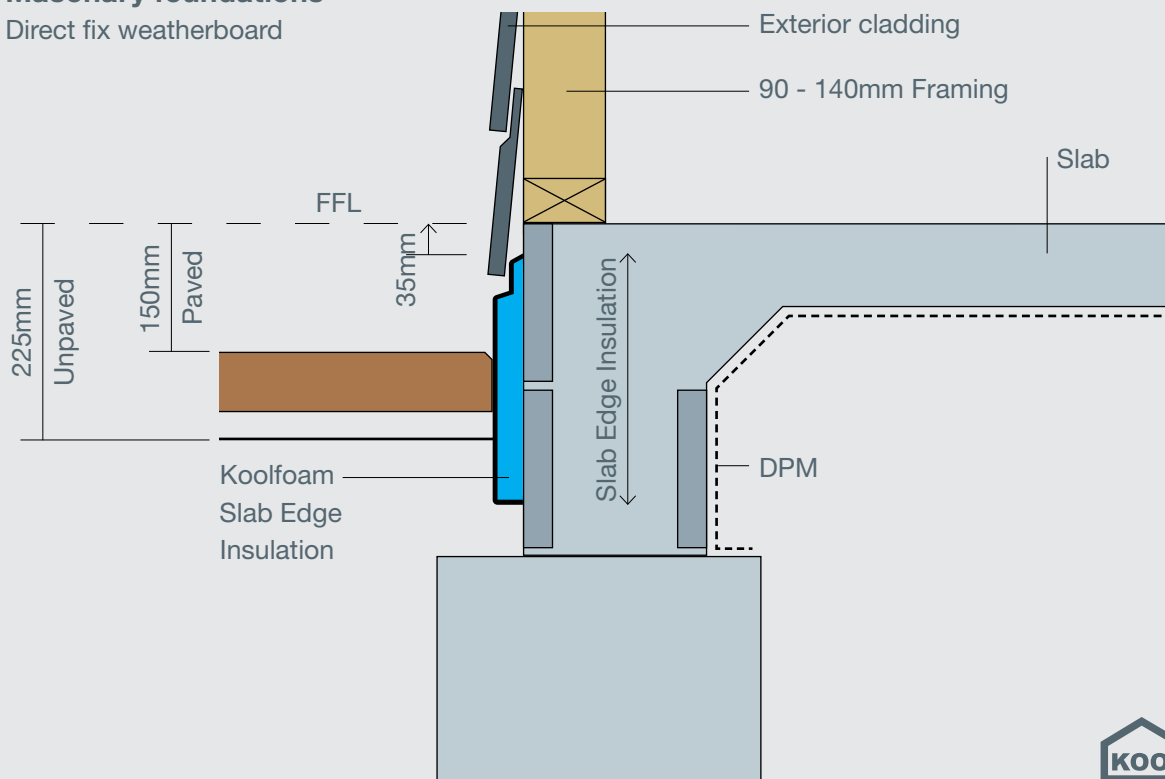


***Note**

Custom sizes also available.

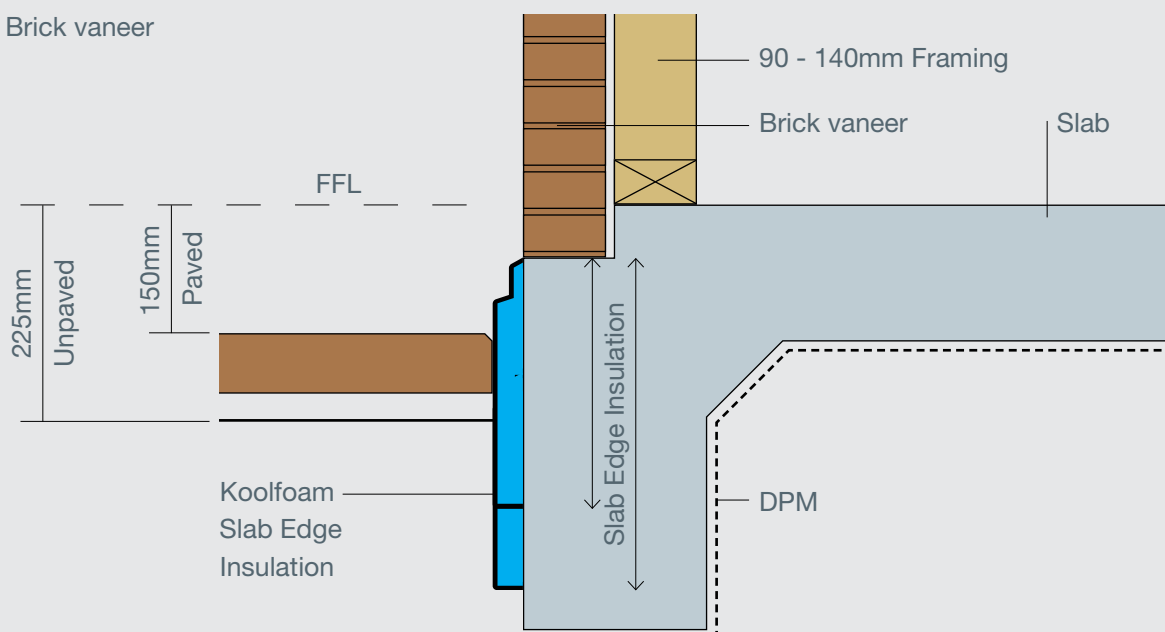
Masonry foundations

Direct fix weatherboard



Concrete foundations

Brick vaneer

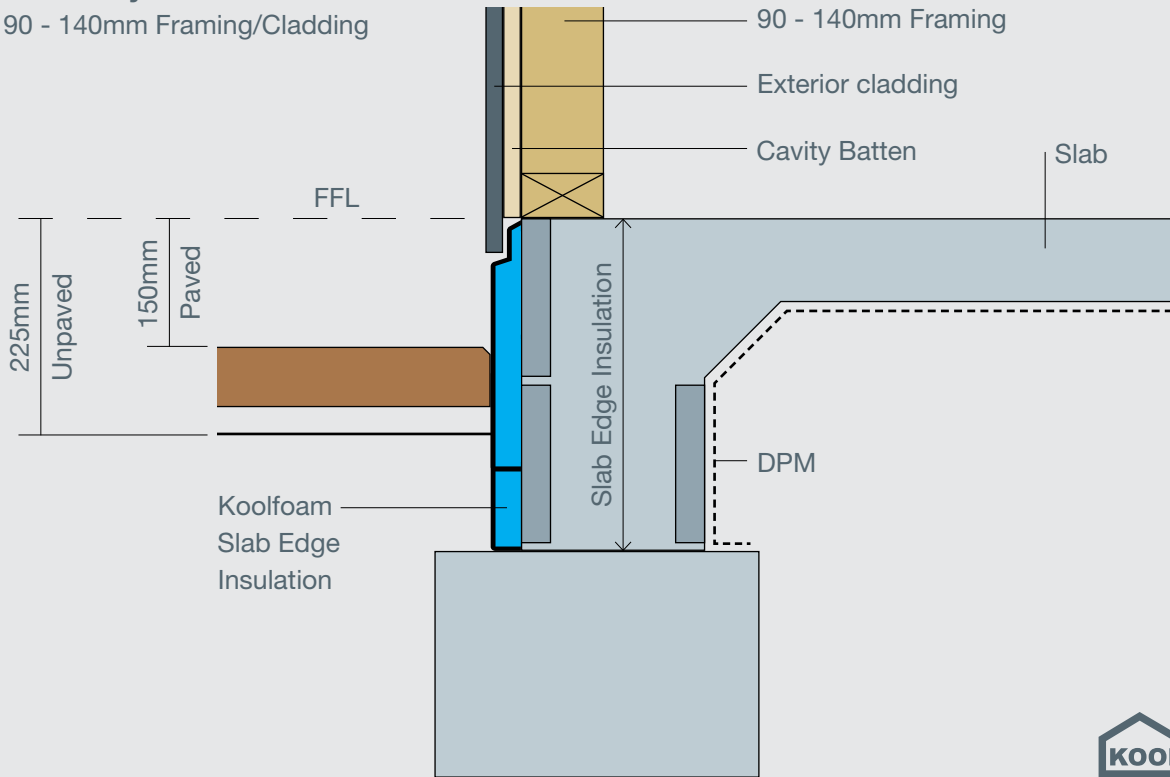


Location and placement of the KoolFoam Slab Edge Insulation system to be verified by the architect and or structural engineers. Drawings are representative examples only. Application of Koolfoam SlabEdge to be designed in accordance with H1 Energy Efficiency Acceptable Solutions H1/VM1 H1 VM2 or Verification Methods H1/AS1 H1 AS2.



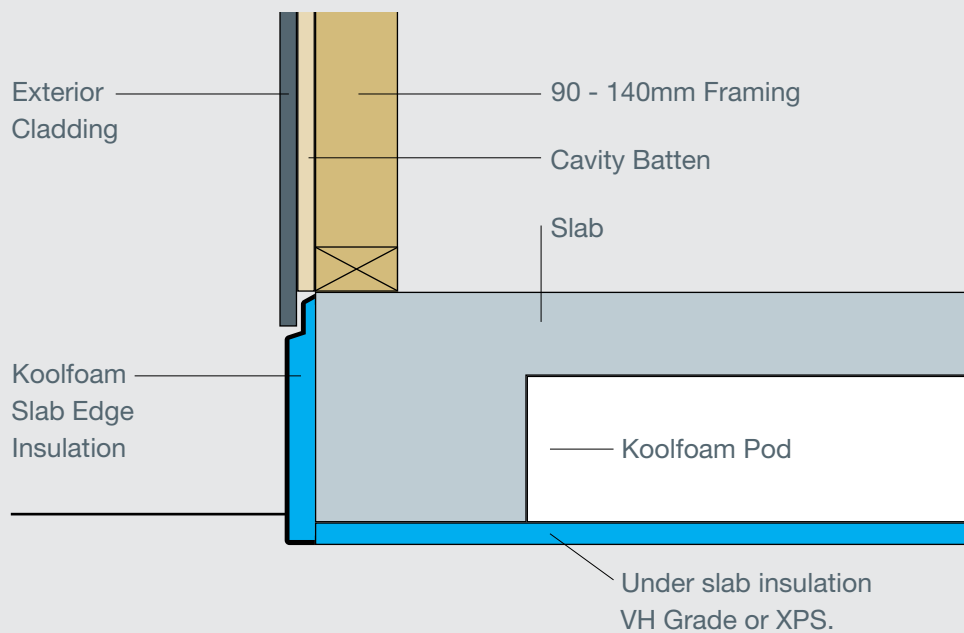
Masonry foundations

90 - 140mm Framing/Cladding



Koolfoam Pod Floor

90 - 140mm Framing/Cladding



Location and placement of the KoolFoam Slab Edge Insulation system to be verified by the architect and or structural engineers. Drawings are representative examples only. Application of Koolfoam SlabEdge to be designed in accordance with H1 Energy Efficiency Acceptable Solutions H1/VM1 H1 VM2 or Verification Methods H1/AS1 H1 AS2.



Specifications

Pre-coated panel sizes

- 2.4m x 300mm x 33mm
- 2.4m x 400mm x 33mm
- Custom sizes also available

R value

- 30mm: R1.0

Compressive Strength

450kPa at 10% compression

Notes

Note 1

The top edge of the insulators should not to be trimmed.

Note 2

Butt joins should not be made tight ensure a 2 to 3mm gap is left between panels.

Note 3

Once jointing product is dry re-prime the joins with acrylic paint.

Adhesive

SikaCeram®-255 StarFlex LD

Joint Sealer

Solvent free flexible paintable silicon suitable for all substrates is recommended. Silaflex AT is a good option.

Paint

Paint with low LVR acrylic paints

- 1 x sealer coat
- 2 x top coats

Tools

- Tape measure
- Hand saw or drop saw
- Extendable knife
- Notched trowel
- Sanding block
- Broad knife or putty knife
- Sponge
- Cleaning cloth
- Bucket

Installation

Step 1: Pre-Treatment

Ensure the slab edge is properly cured, structurally sound, free of any loose or friable particles, clean, dry and free of any contaminants such as dust, dirt, oil, grease, cement laitance or efflorescence.

Step 2: Layout and Pre-cutting

Measure and pre-cut panels mitring around corners and expressing butt joints on straight runs. Tidy up cut edges with a sanding block. Panels should be cut with a handsaw.

**See note 2*

Step 3: Adhesive fixing

Mixing

Pour the recommended amount of clean cold water into a suitable, clean mixing container. Slowly add SikaCeram®-255 StarFlex LD powder to the water while mixing using an electric single paddle mixer (~500 rpm) with spiral paddle. Then mix thoroughly until the material is fully mixed and lump free. Avoid entraining air into the mix by over mixing. Allow the mixed product to 'mature' for 2–3 minutes before remixing for 30 seconds. The finished mix must have a creamy consistency, be uniformly coloured and is easy to apply and spread.

Application

SikaCeram®-255 StarFlex LD is applied using a suitable notched trowel. Apply sufficient adhesive to the prepared fixing surface with the appropriate trowel and comb to the required bed thickness.

Also apply sufficient adhesive to ensure adequate 'wetting' of the backs of the Koolfoam Slab Edge Insulation. Coverage on the back must be 100%. Must to be carried out on freshly applied adhesive, exerting adequate pressure to ensure 100% complete and uniform contact with the adhesive to achieve optimum adhesion.

If a skin forms on the surface of the adhesive, immediately remove the adhesive layer with the trowel, discard material and apply a fresh layer of SikaCeram®- 255 StarFlex LD adhesive. Adjust Koolfoam Slab Edge Insulation if required.

Clean off surplus adhesive from concrete face and between joints before the adhesive has dried. After the required waiting time, apply the appropriate grout into the joints.

Step 4: Jointing

Ensure the joints are free of dirt or loose material. If required place a PEF backing rod in each joint. Apply Silaflex AT or similar to each joint filling to the surface then tool or finger smooth.

Step 5: Painting

Prime dry Silaflex joints with acrylic sealer. Apply 1 x acrylic top coat over joints. Apply 2 x acrylic top coat over entire plaster surfaces.

Step 6: Landscaping

Back fill or pave to appropriate clearance levels required below finished level of exterior cladding.

Koolfoam Slab Edge Post Pour/Retrofit

RATIO A/P,M	220MM WAFFELPOD ON CONTINUOUS 50MM XPS	220MM SOLID POD ON CONTINUOUS 50MM EPS VHGRADE	300MM WAFFEL POD ON CONTINUOUS 50MM XPS	300MM SOLID POD ON CONTINUOUS 50MM EPS VH GRADE
1	1.77	1.66	1.70	1.61
1.6	2.33	2.09	2.16	2.04
1.8	2.38	2.23	2.32	2.18
2	2.54	2.37	2.48	2.33
2.2	2.65	2.48	2.59	2.43
2.4	2.76	2.58	2.70	2.54
2.6	2.87	2.69	2.81	2.64
2.8	2.99	2.79	2.93	2.75
3	3.10	2.90	3.04	2.85
3.2	3.19	2.99	3.13	2.95
3.4	3.29	3.08	3.23	3.04
3.6	3.38	3.17	3.33	3.13
3.8	3.48	3.26	3.42	3.22
4	3.57	3.35	3.52	3.31
5	4.01	3.77	3.96	3.74

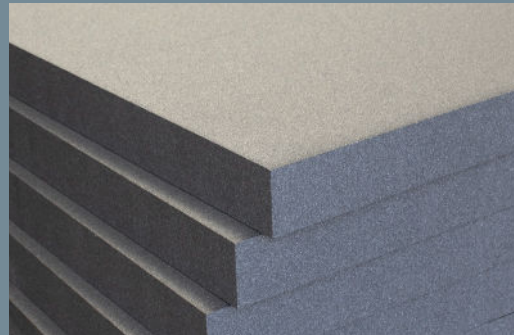
Other Koolfoam products



Solid Eco Pod



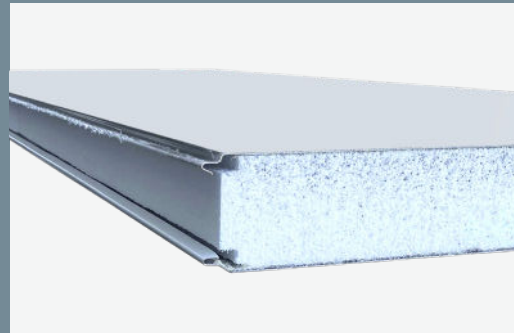
Under Slab Insulation



Black Pearl



Under Floor Insulation



EPS Z Lock Panels

34 Grayson Ave, Papatoetoe, Auckland, New Zealand

+64 9 279 9611 | 0800 636 767 | info@koolfoam.co.nz

koolfoam.co.nz

 **KOOLFOAM Industries Ltd**

Expanded Polystyrene Manufacturers